

# SRN-77

- ⦿ process meter with 2 displays
- ⦿ input 0/1-5V; 0/2-10V
- ⦿ 1 or 2 relay outputs
- ⦿ power supply output: 24V DC
- ⦿ option: RS-485 / Modbus RTU

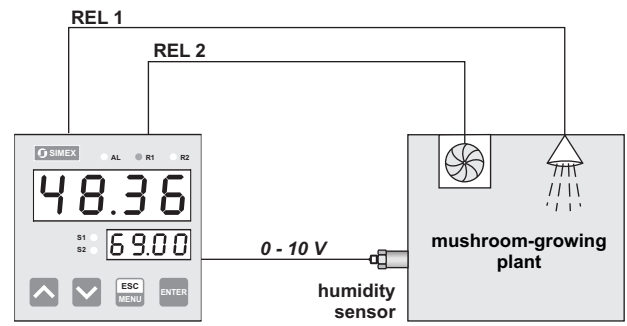
The main advantages of regulator **SRN-77** are two rows of display. The first one presents measuring value, second one - programmed values: max and min. 1 or 2 relay outputs make it possible to control processes ON/OFF type. The device is dedicated to applications, where there is necessity of continuous control of the threshold values. The 24V±3VDC output is used to power the measuring transducers. The RS-485 enables data transmission in production process monitoring systems.

- programmable measuring range,
- programmable relay hystereses,
- programmable relay delay,
- password protected,
- programmable indication filtration,
- versions available with AC and DC power supply.

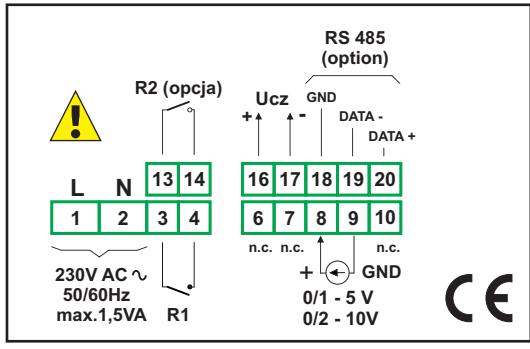


## Typical applications

1. Air humidity adjustment in the mushroom-growing plant; enclosing the humidifier or fan depending on set parameters overflow.



## Exemplary pin assignment



## Technical data

- Power supply:** 230VAC ± 10% or 24V DC (non separated)
- Power consumption:** for 230V AC power supply: max. 2,6 VA; for 24V DC power supply: max. 4,5 W
- Display:** LED, double 4 x 13 mm (red) and 4 x 10 mm (green)
- Input:** voltage 0-5 V, 1-5V, 0-10V or 2-10V, programmable
- Measuring range:** -999 - 9999 + decimal point
- Accuracy:** ± 0,25% ± one digit in the entire operation range
- Outputs:** 1 or 2 relays 1A/250V AC (cos φ = 1)
- Transducer power supply output:** 24V DC ±3V, non-stabilized, not insulated from measuring inputs; for 230V AC power supply: max. 25 mA; for 24V DC power supply: max. 100 mA
- Communication interface (option):** RS-485, 8N1, 1200 bit/s + 115200 bit/s, Modbus RTU (not galvanically isolated)
- Operating temperature:** 0°C + +50°C
- Storage temperature:** -10°C + +70°C
- Protection class:** IP 65 (front side when an additional frame is installed); IP 40 (front side); IP 20 (case and connection clips)
- Case:** board
- Case material:** NORYL - GFN2S E1
- Case dimensions:** 72 x 72 x 100 mm
- Panel cut-out dimensions:** 66,5 x 66,5 mm
- Installation depth:** min. 102 mm
- Board thickness:** max. 5 mm

## Ordering

