

STI-73

- ratemeter in a small case
- 1 pulse counting input
- 1 relay output (or OC)
- power supply output: 21V DC
- option: RS-485 / Modbus RTU

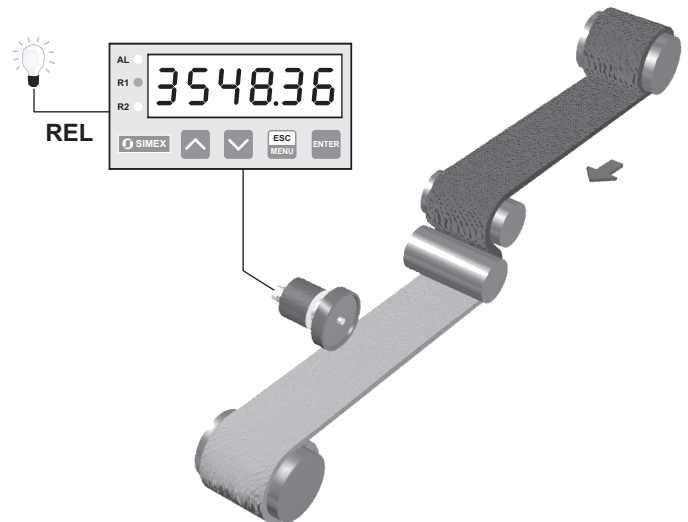


STI-73 ratemeters are the board-type ratemeters designed to control rotational speed. Available parameters of divider and multiplier enable flexible scaling of rotational speed and also transformation into material linear speed. They also enable operation in the frequency meter mode. The ratemeters have 1 relay or OC output, programmable depending on the instantaneous rotational speed.

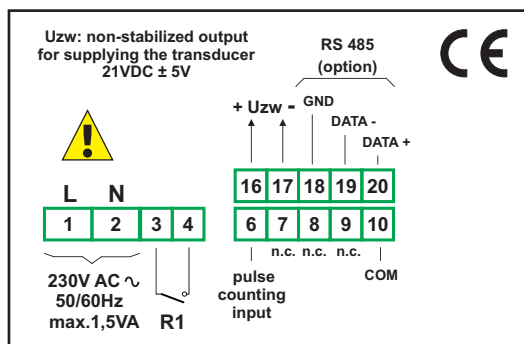
- password protection,
- "over" signalling when the measuring range is exceeded,
- setting the rotational speed units,
- settable delay time of relay: up to 99 seconds or minutes,
- settable maximum waiting time for the next rotation,
- threshold hysteresis setting,
- ACCESS option - easy threshold modification,
- versions available with AC and DC power supply.

Typical applications

1. Measuring the speed of the material being wound, featuring alarm signalling.



Exemplary pin assignment



Technical data

- Power supply:** 230V AC ± 10% or 24V DC (non separated)
- Power consumption:** for 230V AC power supply: max. 1,5 VA; for 24V DC power supply: max. 3,5 W
- Display:** LED, red, 6 x 9 mm high
- Input:** pulse, galvanically isolated without contacts oscillation damping
maximum input frequency: 50 kHz
maximum frequency behind the pulse divider: 500 Hz
- Rotational speed accuracy:** selected in the 0 ÷ 0,000 range
- Rotational speed unit:** revolutions per meter (rpm) or revolutions per second (rps)
- Pulse waiting time:** max. 15 seconds
- Measuring range:** 0 ÷ 999999 + decimal point
- Outputs:** 1 relay 1A/250V AC (cos =1) or the OC 30mA/30VDC/100mW
- Transducer power supply output:** 21V DC ±5V, non-stabilized, not insulated from measuring inputs; for 230V AC power supply: max. 15 mA; for 24V DC power supply: max. 100 mA
- Communication interface (option):** RS 485, 8N1, 2400 bit/s + 19200 bit/s, Modbus RTU (not galvanically isolated)
- Data memory:** non-volatile memory, EEPROM type
- Operating temperature:** 0°C + +50°C
- Storage temperature:** -10°C + +70°C
- Protection class:** IP 65 (front side when an additional frame is installed); IP 40 (front side); IP 20 (case and connection clips)
- Case:** board
- Case material:** NORYL - GFN2S E1
- Case dimensions:** 72 x 36 x 97 mm
- Panel cut-out dimensions:** 66,5 x 32,5 mm
- Installation depth:** min. 102 mm
- Board thickness:** max. 5 mm

Ordering

